

TSSU-48-18M-B-HC

🇬🇧 Prep Table, 18x 1/6 Top Pans, 2 Solid Swing Doors



Dimensions	
External Width (mm)	1229
External Depth (mm)	867
External Height (mm)	1185
Exclusions	Depth does not include 26 mm for rear bumpers. Height with lid closed.
Gross Volume (Litres)	340
Supplied Shelves	4
Shelf Size (L x D mm)	Two 547 x 514 + Two 547 x 349
Internal Net Height (mm)	535
Top Pans Supplied (max depth mm)	18x 1/6 GN (100)
Unpackaged Weight (kg)	137
Packaged Weight (kg)	148
Packaged Dimensions (W x D x H mm)	1296 x 934 x 1270
Cutting Board (L x D mm)	1229 x 226
Supplied Supports	Ø127 mm castors (158 mm height)

Build	
Door Description	2 Solid Swing Doors
Exterior Construction	Stainless steel front, top & hood, aluminium sides and rear
Interior Construction	Clear coated aluminium, stainless steel base
Air Intake Position	Front
Ventilation Position	Front
Clearance Required	Zero back and sides
Cord Length (Meters)	3.35
Standard w/ Locks	Not standard (SPEC3 option)

Technical	
Temperature Holding	0.5 : 5°C
Refrigerant	R290
Voltage / Frequency / Phase	220-240V/50-60Hz/1
Amps	2.3
Wattage	529
Defrost Type	Auto



Specifications subject to change without notice.
Chart dimensions rounded up to the next whole millimeter (inches rounded up to the 1/8")

UK & Ireland
Europe
Australia

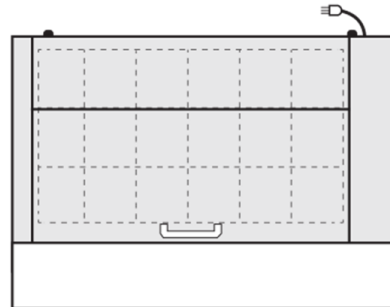
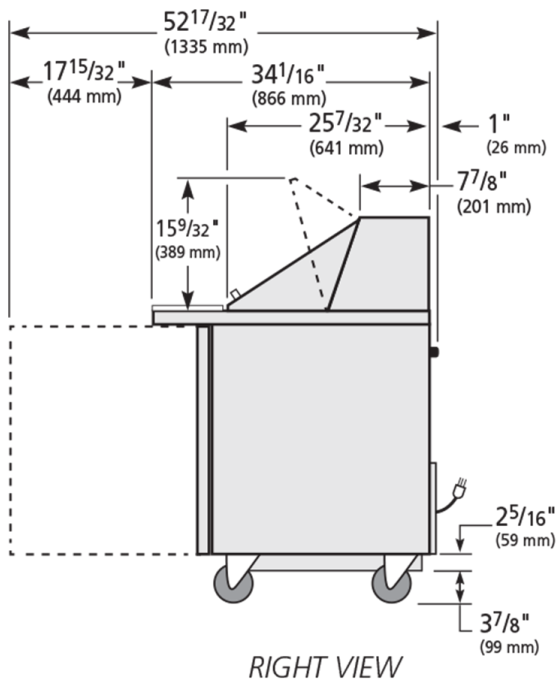
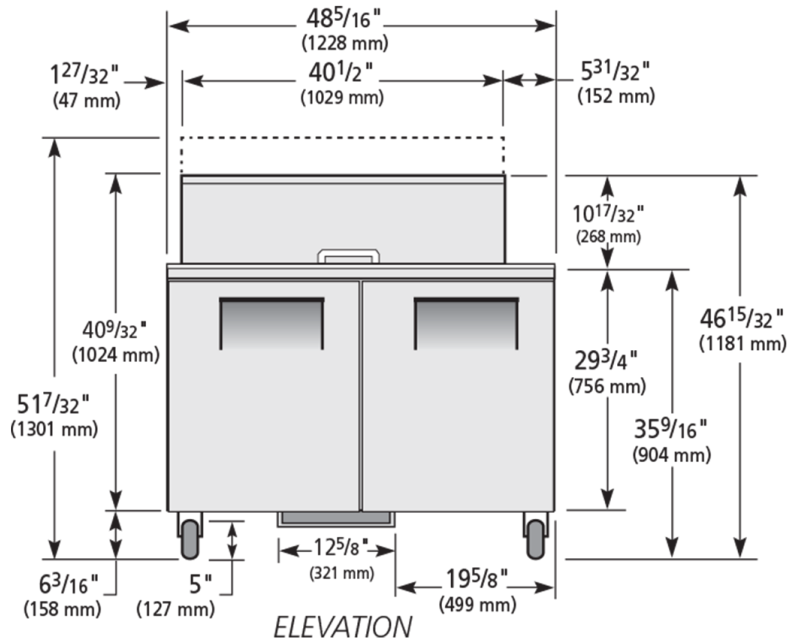
0800 783 2049
+49 (0) 7622 6883 0
+61 2 9619 9999

TFIUK@truemfg.com
TrueGermCustomerService@truemfg.com
TrueRefAus@truemfg.com



TSSU-48-18M-B-HC

UK Prep Table, 18x 1/6 Top Pans, 2 Solid Swing Doors



Specifications subject to change without notice.
Chart dimensions rounded up to the next whole millimeter (inches rounded up to the 1/8")

UK & Ireland
Europe
Australia

0800 783 2049
+49 (0) 7622 6883 0
+61 2 9619 9999

TFIUK@truemfg.com
TrueGermCustomerService@truemfg.com
TrueRefAus@truemfg.com

