

# T-43F-HC

Upright Foodservice Freezer, 2 Full Solid Swing Doors



Dimensions	
External Width (mm)	1194
External Depth (mm)	750
External Height (mm)	2074
Exclusions	Depth does not include 13 mm for rear access panel.
Net Volume (Litres)	756
Gross Volume (Litres)	1217
Supplied Shelves	8
Shelf Size (L x D mm)	531 x 572
Internal Net Height (mm)	1300
Unpackaged Weight (kg)	175
Packaged Weight (kg)	186
Packaged Dimensions (W x D x H mm)	1372 x 902 x 2134
Supplied Supports	Ø 64 mm castors (83 mm height)

Build	
Door Description	2 Full Solid Swing Doors
Exterior Construction	Stainless steel front, aluminium sides & rear
Interior Construction	Clear coated aluminium, stainless steel base
Air Intake Position	Front
Ventilation Position	Rear
Clearance Required	26 mm rear, zero sides
Cord Length (Meters)	2.74
Internal Lighting	LED
Standard w/ Locks	standard

Technical	
Temperature Holding	-23°C
Refrigerant	R290
Voltage / Frequency / Phase	220-240V/50Hz/1
Amps	5.5
Wattage	1265
Climate Class	4
Operating Statement	Regular Duty: This appliance is intended for use in ambient temperatures up to 30°C.
Testing Standard	EN 16825
EEC	F
EEL	101.6
kWh/24hr	14.2
kWh/Annum	5189
Defrost Type	Auto



Specifications subject to change without notice.  
Chart dimensions rounded up to the next whole millimeter (inches rounded up to the 1/8")

UK & Ireland  
Europe  
Australia

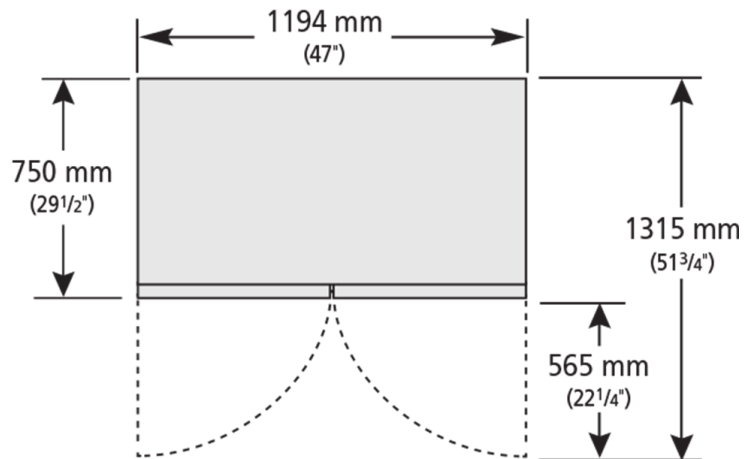
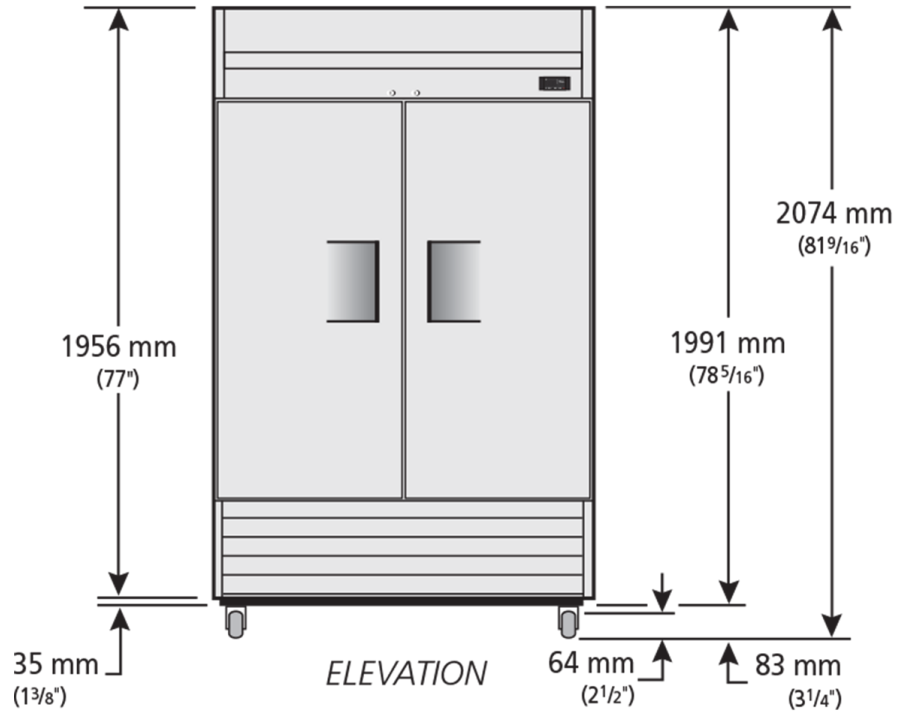
0800 783 2049  
+49 (0) 7622 6883 0  
+61 2 9619 9999

TFIUK@truemfg.com  
TrueGermCustomerService@truemfg.com  
TrueRefAus@truemfg.com



# T-43F-HC

Upright Foodservice Freezer, 2 Full Solid Swing Doors



**WARRANTY** 5 YEARS\*  
PARTS, COMPRESSOR AND LABOUR  
natural refrigerant.

Specifications subject to change without notice.  
Chart dimensions rounded up to the next whole millimeter (inches rounded up to the 1/8")

UK & Ireland  
Europe  
Australia

0800 783 2049  
+49 (0) 7622 6883 0  
+61 2 9619 9999

TFIUK@truemfg.com  
TrueGermCustomerService@truemfg.com  
TrueRefAus@truemfg.com

