

TWT-60D-2-HC

Worktop Counter Refrigerator, 2 Drawers + 1 Solid Swing Door



Dimensions	
External Width (mm)	1534
External Depth (mm)	766
External Height (mm)	1004
Exclusions	Depth does not include 26 mm for rear bumpers.
Net Volume (Litres)	226
Gross Volume (Litres)	439
Supplied Shelves	2
Shelf Size (L x D mm)	One 700 x 546 + One 700 x 349
Internal Net Height (mm)	630
Per Drawer Capacity (max depth mm)	1x 1/1 GN (150)
Unpackaged Weight (kg)	191
Packaged Weight (kg)	202
Packaged Dimensions (W x D x H mm)	1601 x 839 x 1207
Supplied Supports	Ø 127 mm castors (158 mm height)

Build	
Door Description	1 Solid Swing Door
Drawers location	Left (standard) or Right (option)
Exterior Construction	Stainless steel front & countertop, aluminium sides & rear
Interior Construction	Clear coated aluminium, stainless steel base
Air Intake Position	Front
Ventilation Position	Front
Clearance Required	Zero back and sides
Cord Length (Meters)	2.13
Standard w/ Locks	Standard

Technical	
Temperature Holding	0.5 : 3.3°C
Refrigerant	R290
Voltage / Frequency / Phase	220-240V/50-60Hz/1
Amps	1.3
Wattage	299
Climate Class	5
Operating Statement	Heavy Duty: This appliance is intended for use in ambient temperatures up to 40°C.
Testing Standard	EN 16825
EEC	B
EEl	31.5
kWh/24hr	2.04
kWh/Annum	746
Defrost Type	Auto



Specifications subject to change without notice.
Chart dimensions rounded up to the next whole millimeter (inches rounded up to the 1/8")

UK & Ireland
Europe
Australia

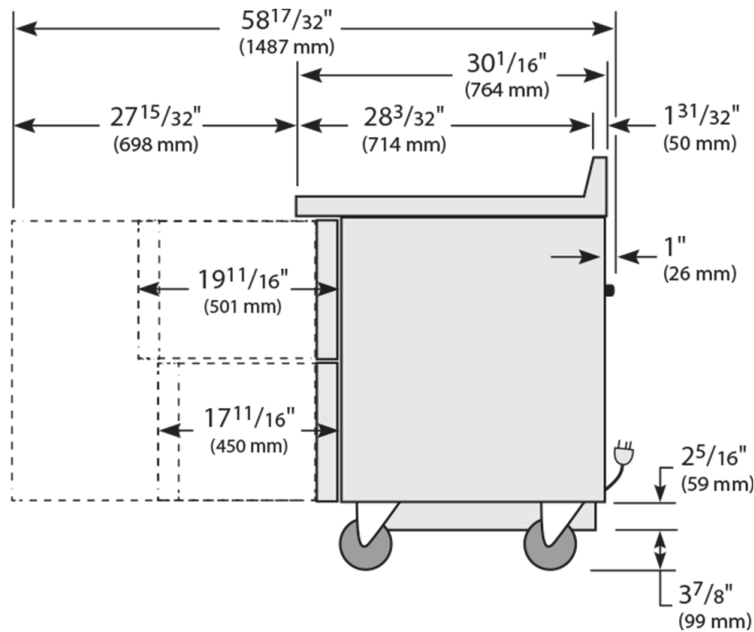
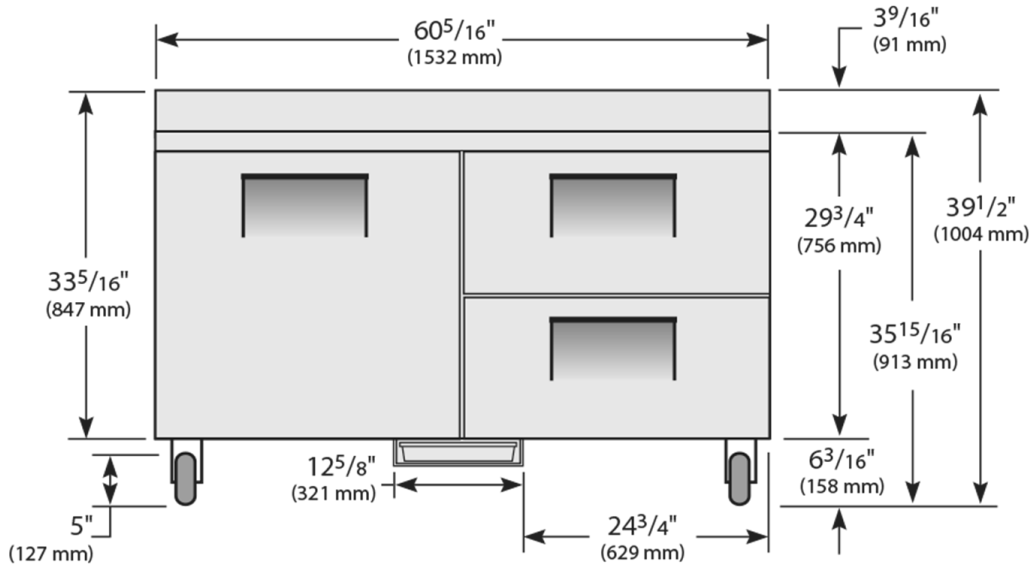
0800 783 2049
+49 (0) 7622 6883 0
+61 2 9619 9999

TFIUK@truemfg.com
TrueGermCustomerService@truemfg.com
TrueRefAus@truemfg.com



TWT-60D-2-HC

Worktop Counter Refrigerator, 2 Drawers + 1 Solid Swing Door



Specifications subject to change without notice.
Chart dimensions rounded up to the next whole millimeter (inches rounded up to the 1/8")

UK & Ireland
Europe
Australia

0800 783 2049
+49 (0) 7622 6883 0
+61 2 9619 9999

TFIUK@truemfg.com
TrueGermCustomerService@truemfg.com
TrueRefAus@truemfg.com

