

TWT-72-HC

Worktop Counter Refrigerator, 3 Solid Swing Doors



Dimensions	
External Width (mm)	1839
External Depth (mm)	766
External Height (mm)	1004
Exclusions	Depth does not include 26 mm for rear bumpers.
Net Volume (Litres)	461
Gross Volume (Litres)	583
Supplied Shelves	6
Shelf Size (L x D mm)	Left & Right Upper: 547 x 514. Central Upper: 596 x 539. Left & Right Lower: 547 x 349. Central Lower: 596 x 349
Internal Net Height (mm)	630
Unpackaged Weight (kg)	162
Packaged Weight (kg)	173
Packaged Dimensions (W x D x H mm)	1931 x 832 x 1207
Supplied Supports	Ø 127 mm castors (158 mm height)

Build	
Door Description	3 Solid Swing Doors
Exterior Construction	Stainless steel front & countertop, aluminium sides & rear
Interior Construction	Clear coated aluminium, stainless steel base
Air Intake Position	Front
Ventilation Position	Front
Clearance Required	Zero back and sides
Cord Length (Meters)	2.13
Standard w/ Locks	Standard

Technical	
Temperature Holding	0.5 : 3.3°C
Refrigerant	R290
Voltage / Frequency / Phase	220-240V/50-60Hz/1
Amps	1.3
Wattage	299
Climate Class	5
Operating Statement	Heavy Duty: This appliance is intended for use in ambient temperatures up to 40°C.
Testing Standard	EN 16825
EEC	B
EEl	33.2
kWh/24hr	2.7
kWh/Annum	985
Defrost Type	Auto



Specifications subject to change without notice.
Chart dimensions rounded up to the next whole millimeter (inches rounded up to the 1/8")

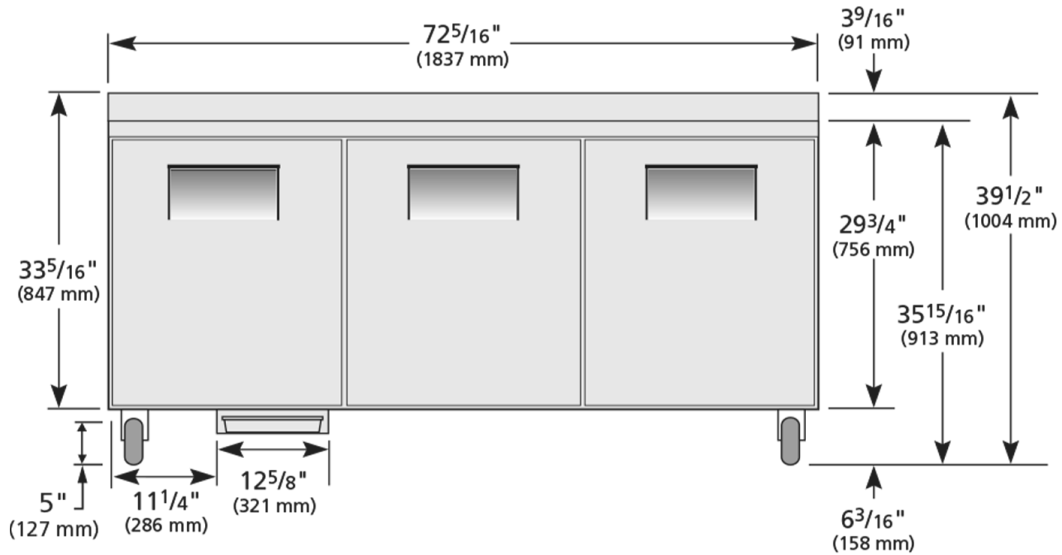
UK & Ireland 0800 783 2049
Europe +49 (0) 7622 6883 0
Australia +61 2 9619 9999

TFIUK@truemfg.com
TrueGermCustomerService@truemfg.com
TrueRefAus@truemfg.com

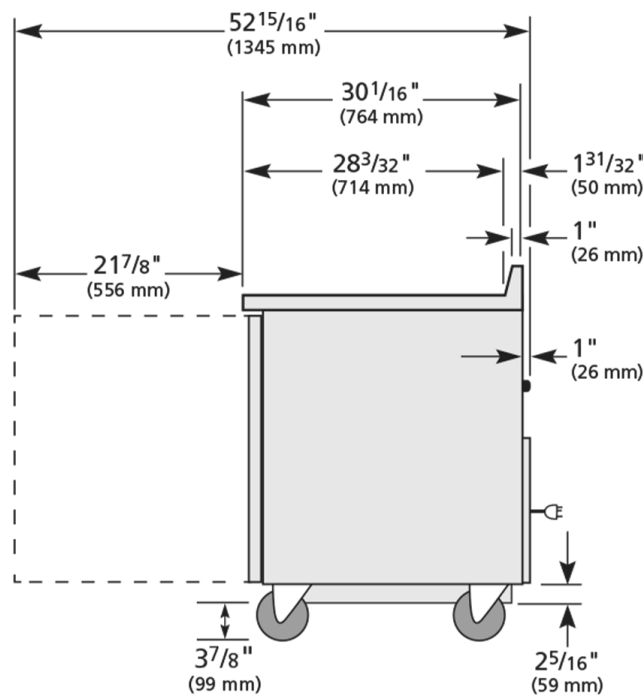


TWT-72-HC

Worktop Counter Refrigerator, 3 Solid Swing Doors



ELEVATION



Specifications subject to change without notice.
 Chart dimensions rounded up to the next whole millimeter (inches rounded up to the 1/8")

UK & Ireland
 Europe
 Australia

0800 783 2049
 +49 (0) 7622 6883 0
 +61 2 9619 9999

TFIUK@truemfg.com
 TrueGermCustomerService@truemfg.com
 TrueRefAus@truemfg.com

