

# TPP-AT-67D-4-HC

Pizza Prep Table, 9x 1/3 Top Pans, 4 Drawers



Dimensions	
External Width (mm)	1709
External Depth (mm)	854
External Height (mm)	1138
Exclusions	Depth does not include 26 mm for rear bumpers and 44mm for cutting board overhang.
Gross Volume (Litres)	583
Top Pans Supplied (max depth mm)	9x 1/3 GN (150)
Per Drawer Capacity (max depth mm)	1x 2/1 GN (200)
Unpackaged Weight (kg)	196
Packaged Weight (kg)	207
Packaged Dimensions (W x D x H mm)	1880 x 966 x 1245
Cutting Board (L x D mm)	1709 x 496
Supplied Supports	∅ 127 mm castors (146 mm height)

Build	
Exterior Construction	Stainless steel front, top & lids, aluminium sides and rear
Interior Construction	Clear coated aluminium, stainless steel base
Air Intake Position	Front
Ventilation Position	Front
Clearance Required	Zero back and sides
Cord Length (Meters)	3.35
Standard w/ Locks	Not standard (SPEC3 option)

Technical	
Temperature Holding	0.5 : 5°C
Refrigerant	R290
Voltage / Frequency / Phase	220-240V/50-60Hz/1
Amps	1.8
Wattage	414
Defrost Type	Auto



Specifications subject to change without notice.  
Chart dimensions rounded up to the next whole millimeter (inches rounded up to the 1/8")

UK & Ireland  
Europe  
Australia

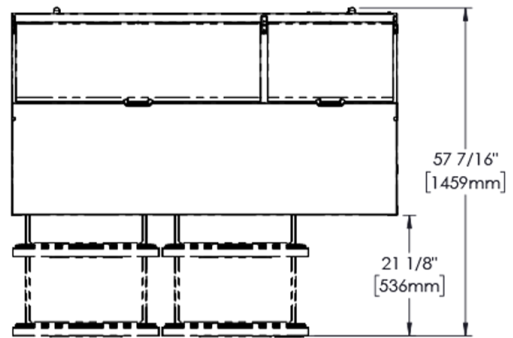
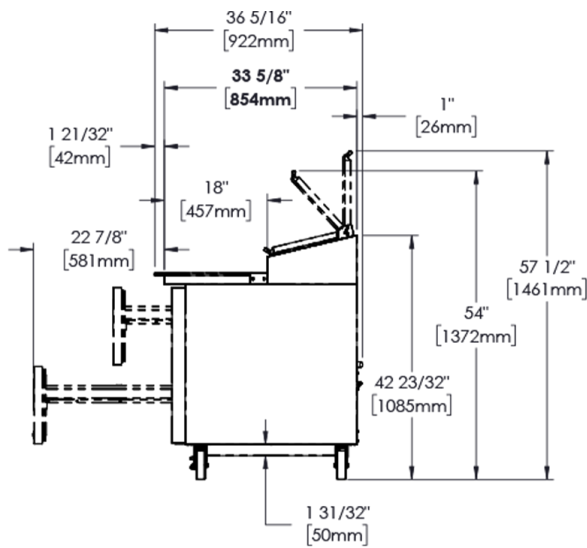
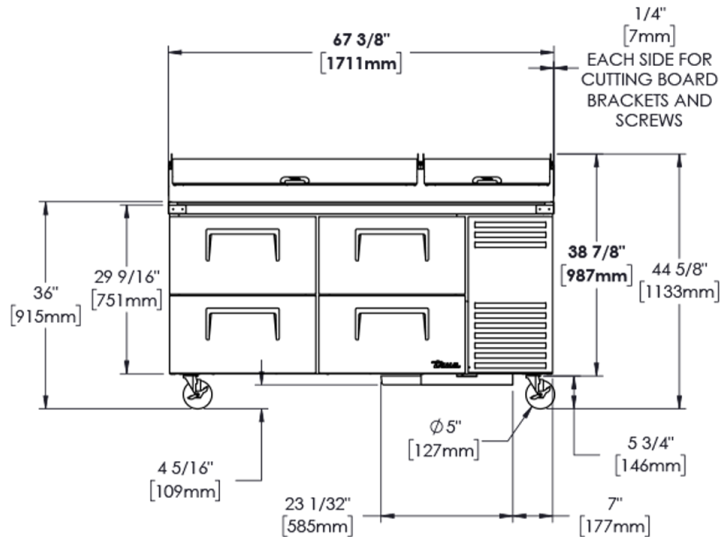
0800 783 2049  
+49 (0) 7622 6883 0  
+61 2 9619 9999

[TFIUK@truemfg.com](mailto:TFIUK@truemfg.com)  
[TrueGermCustomerService@truemfg.com](mailto:TrueGermCustomerService@truemfg.com)  
[TrueRefAus@truemfg.com](mailto:TrueRefAus@truemfg.com)



# TPP-AT-67D-4-HC

Pizza Prep Table, 9x 1/3 Top Pans, 4 Drawers



Specifications subject to change without notice.  
Chart dimensions rounded up to the next whole millimeter (inches rounded up to the 1/8")

UK & Ireland  
Europe  
Australia

0800 783 2049  
+49 (0) 7622 6883 0  
+61 2 9619 9999

TFIUK@truemfg.com  
TrueGermCustomerService@truemfg.com  
TrueRefAus@truemfg.com

